

Upgraded continuous motion wrapping machine for hard candies in double twist. The mechanical, electrical and optical upgrade package enables higher performance, lower consumption of wrapping materials, enhanced operator comfort and reduces future maintenance.

# EK1-Upgrade | |




## Products

- products suitable for plate feeding
- Hard Candy  
(with or without center-filling)
- Eclair
- Toffees

## Output

- up to 1400 products/min

## Product dimensions

	Length: 16–40 mm Width: 12–25 mm Height: 6–20 mm
	Ø: 12–25 mm Height: 6–20 mm
	Ø: 12–23 mm



# EK1-Upgrade

## Wrapping material

- Wax paper
- Cellophane
- Polypropylene
- Polyethylene

## Material dimensions

- Reel diameter: up to 350 mm
- Reel width: up to 120 mm
- Core diameter: 40–80 mm

## Utilities

- Connected load: 8 kVA
- Compressed air consumption: 2m<sup>3</sup>/h; 600 kPa

## Measurements

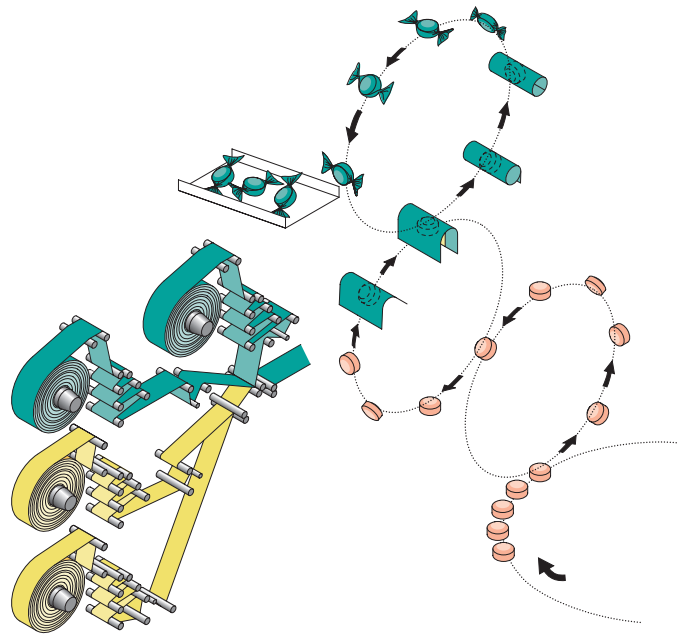
- Machine:
  - Length: 2915 mm
  - Width: 1900 mm
  - Height: 1850 mm
- Switch cabinet:
  - Length: 1000 mm
  - Width: 400 mm
  - Height: 1900 mm

## Weight

- Machine: 2350 kg
- Switch cabinet: 300 kg

## Combination

Beside manual feeding, the machine can be directly synchronized to the production line by means of a Theegarten-Pactec feeding system.



## Improvements and added value

- Replacement of the mechanical scanning wheel by a laser scanner
- Upgraded wrapping material feeding unit with two independent servo drives for wrapping material draw off and cutting
- Optimized “no product – no wrapping material” functionality
- Infinitely variable adjustment of the wrapping material cut off length for increased wrapping capacity and reduced wrapping material consumption
- Complete replacement of the electrical cabinet and all field devices
- ELAU C 200 motion control system with integrated PLC functionality
- Upgraded air support to allow the use of modern PP foils
- Reproducible setting of the air support via valve bank
- Improved operation and Diagnostics via SIEMATIC touch screen
- Improved access for cleaning and maintenance thanks to a new safety concept

## Proven standard features

- Feeding and sorting station with separation of small and oversized products and sugar dust
- Gentle product separation by large diameter feed plate

- Optimized feed plate fill level controlled by an electronic scale
- Automatic wrapping speed control
- Infinitely variable adjustment of the twist gripper oscillation depending on the wrapping material quality
- Adjustment of the twisting angle in three steps (1,1; 1,6; 2,1 rotations)
- Mechanical (cone type) reel holders
- Reel end detection and automatic splicing
- Separation of spliced/double wrapped products and non properly registered products

## Options

- Additional reel holders for a second wrapping material (under strip) with automatic splicer
- Photo-electric print registration
- Detection system for manufacturer splices
- Different executions of the twist grippers for different wrapping materials
- Special execution for moulded toffees
- remote diagnostics