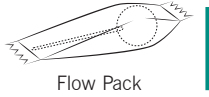


High-speed wrapping machine for lollipops in flow pack.  
The intelligent feeding principle of the machine enables efficient  
and reliable high-performance wrapping of mass production.

# FPL5



## Products

- Lollipops

## Output

- up to 700 products/min



## Product dimensions



Ball diameter:  
15–30 mm  
Stick length:  
up to 102 mm  
Stick diameter:  
3–5 mm

# FPL5

## Wrapping material

- Cold sealable foil
- Heat sealable foil

## Material dimensions

- Reel diameter: up to 400 mm
- Reel width: up to 140 mm
- Core diameter: 76,2 mm

## Utilities

- Connected load: 13 kVA
- Compressed air consumption: 4 m<sup>3</sup>/h; 600 kPa

## Measurements

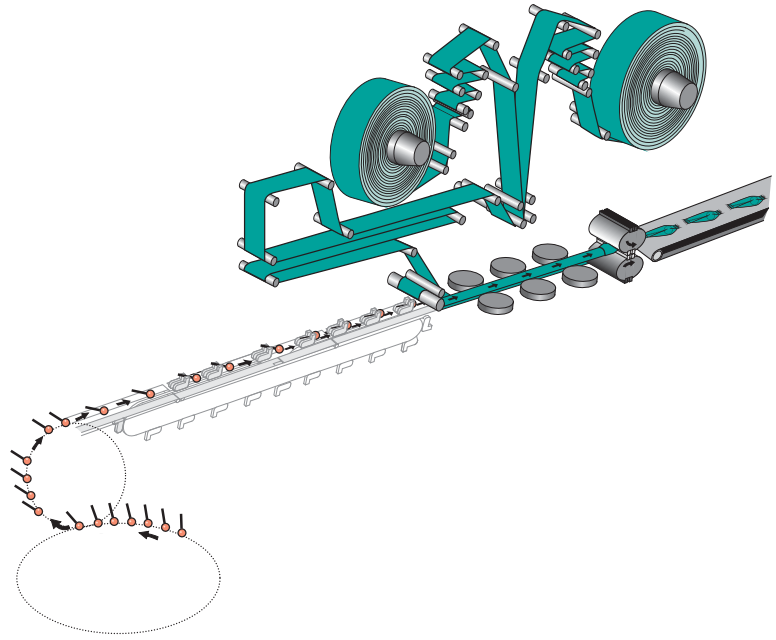
- Length: 4250 mm
- Width: 2000 mm
- Height: 2200 mm

## Weight

- 2900 kg

## Combination

Beside manual feeding, the machine can be directly synchronized to the production line by means of a Theegarten-Pactec feeding system.



## Special features

- A particularly gentle handling of the products is guaranteed by the continuous motion principle
- Servo control with PLC functions
- highly efficient feeding system with integrated sorting station to eliminate sugar dust, chips and broken pieces
- products are transferred by the removal wheel and delivered to the segments of the cam chain
- Pneumatic core locking and reel tensioning devices
- Three pairs of sealing rollers for the longitudinal seam and a cross sealing unit guarantee a tight pack
- Automatic splicer to change wrapping material reels without stopping the machine
- ejecting device for faulty packs
- Excellent accessibility for operation, maintenance and cleaning purposes

- Easy operation due to the touch screen
- Due to the automatic operation, several machines can be handled by one operator
- System of protection: IP 54

## Options

- Photo-electric print registration
- High-precision forming shoulder for crease proof pouches
- position retention belt
- suction device for empty pouches
- Code-dating device
- Heat sealing device
- Detection system for manufacturer splices