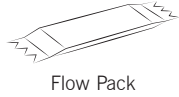


Modular high speed forming, cutting and wrapping machine for products in flow packs. The flexible designs of the different assembly groups allow an attractive tailor-made adaptation of the machine to the customer needs.

FPW5



Products

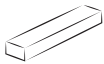
- Hard and Soft Caramels
- Toffees
- Chewy Sweets
- Chewing Gum

Output

- up to 1500 products/min



Product dimensions



Length: 20–200 mm
Width: 12– 30 mm
Height: 3– 16 mm

FPW5

Wrapping material

- Cold sealable foil
- Heat sealable foil

Material dimensions

- Reel diameter: up to 400 mm
- Reel width: up to 160 mm
- Core diameter: 76,2 mm

Wrapping material speed

- up to 140 m/min

Utilities

- Connected load: 14 kVA
- Compressed air consumption: 2 m³/h; 700 kPa

Measurements

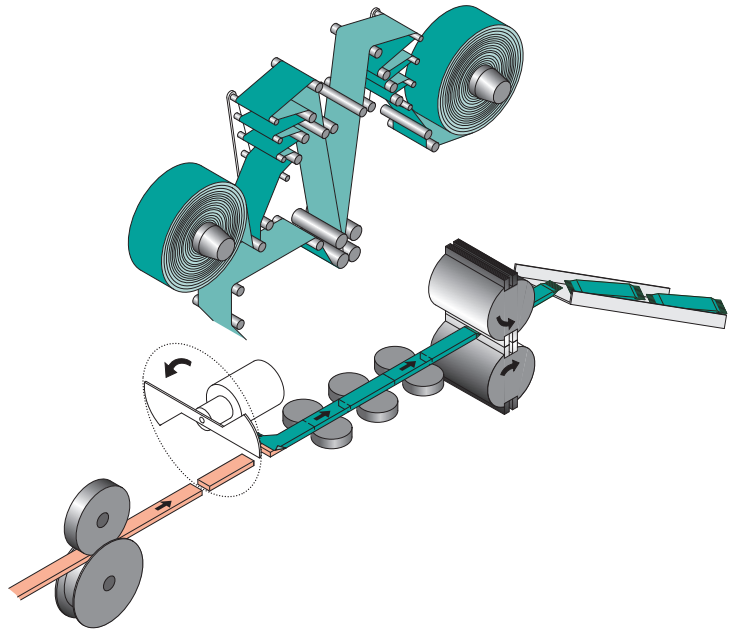
- Machine:
 - Length: 4700 mm
 - Width: 1400 mm
 - Height: 1800 mm
- Switch cabinet:
 - Length: 1400 mm
 - Width: 500 mm
 - Height: 1700 mm

Weight

- 2000 kg

Combination

Depending on the product, the machine can be synchronized either with a batch roller and rope sizing machine (toffees, hard and soft caramels) or an appropriate extruder and cooling tunnel (chewing gum, bubble-gum, chewy candy).



Special features

- The machine is based on a modular design, consisting of a basic machine and modular main assemblies. These assemblies with optional functionalities can be adapted to the tailor-made machine. Later amendments or upgrades of the machines are easy to implement.

Rope in-feed and product cutting device

- feeding of the mass rope to the cutting section by two or four independently adjustable pairs of sizing rollers
- transport of the single products via upper and lower belt

Product and wrapping material feeding

- placement of the product via a sliding transport of the lug chain
- easy change of product dimensions through adjustable transfer belts and lug chain
- manual or pneumatic core locking and reel tensioning devices
- automatic splicer with or without print registration
- manual or pneumatic web tracking control
- print registration, detection system for manufacturer foil splices, code dating device, tear tape device, label dispenser

Sealing device

- two or three-stage longitudinal sealing device for cold or heat sealing
- flexible fin folding device
- long seam sealing profile in longitudinal direction
- cooling, evacuation, position retention belt
- segmented cross sealing device for cold and heat sealing with up to four sealing jaws
- cross seam sealing profile in longitudinal or transversal direction

Product discharge

- discharge chute or discharge conveyor with separate drive
- upper support discharge belt
- ejecting device for faulty packs

Operation

- Due to the automatic operation, several machines can be handled by one operator
- Easy operation due to the touch screen
- Excellent accessibility for operation, maintenance and cleaning purposes