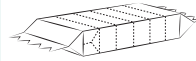


High-speed wrapping machine for pre-formed products in bottom fold. The direct connection of a flow pack machine enables the grouping of the individual products and simultaneous secondary packaging.

HCW4/FPC5



Bottom Fold
Primary packaging



Flow Pack
Secondary packaging

Products




- products suitable for plate feeding
- Hard Candys
(with or without center-filling)
- Eclair
- Toffees

Output

- up to 1500 single products/min



Product dimensions

 	<p>Single Products Length: 18– 40 mm Width: 12– 25 mm Height: 8– 16 mm</p> <p>Stick Pack Length: 44–130 mm Width: 18– 40 mm Height: 12– 25 mm</p> <p>Products per Stick Pack: 2 – 16 pieces</p>
	<p>Ø: 12–25 mm Height: 8–16 mm</p>

HCW4/FPC5

Wrapping material

- HCW4:
 - Wax paper
 - Cellophane
 - Polypropylene
 - Aluminium/paper – coated
- FPC5:
 - Cold sealable foil
 - Heat sealable foil

Material dimensions

- HCW4:
 - Reel diameter: up to 400 mm
 - Reel width: up to 100 mm
 - Core diameter: 70–76,2 mm
- FPC5:
 - Reel diameter: up to 400 mm
 - Reel width: up to 160 mm
 - Core diameter: 75–76,2 mm

Utilities

- Connected load: 22 kVA
- Compressed air consumption: 6 m³/h; 700 kPa

Measurements

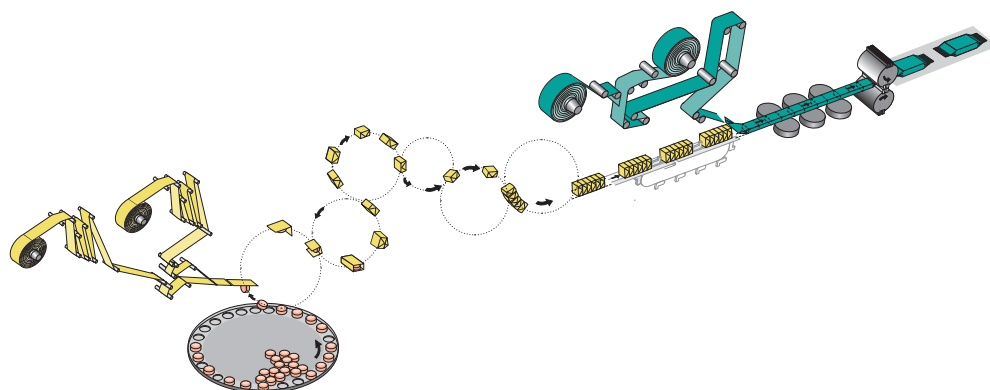
- Machine:
 - Length: 6350 mm
 - Width: 2730 mm
 - Height: 2060 mm
- Switch cabinet:
 - Length: 4200 mm
 - Width: 500 mm
 - Height: 2240 mm

Weight

- Machine: 6500 kg
- Switch cabinet: 1170 kg

Combination

Beside manual feeding, the machine can be directly synchronized to the production line by means of a Theegarten-Pactec feeding system.



Special features

HCW4

- A particularly gentle handling of the products is guaranteed by the continuous motion principle
- highly efficient feeding system with integrated sorting station to eliminate sugar dust, chips and broken pieces
- Servo control with PLC functions
- Pickup of the products from the feeding plate and simultaneous wrapping material supply within the removal wheel reduce product transfers
- Air support to allow the use of PP foils
- Saving of wrapping material by “no product – no paper” -device
- Automatic splicer to change wrapping material reels without stopping the machine
- Ejection of spliced, mal-registered and unwrapped products
- Servo-driven wrapping material feed rollers, wrapping material knife and material reels
- Pneumatic core locking and reel tensioning devices
- Heating wheel to seal the wrapping
- Automatic temperature control of the sealing units
- Opening of the heat sealing units at machine stop
- Servo motor driven grouping section to prevent incomplete product groups
- Servo motor driven transfer of product groups to a continuous or discontinuous motion secondary wrapping machine
- Pressureless water treatment

FPC5

- Servo motor driven lug chain to transport the products in a controlled position to the wrapping section of the secondary packaging machine
- Pneumatic core locking and reel tensioning devices
- Manual or automatic web tracking control
- Servo motor driven foil pre – draw off system to allow splicing at full machine speed and correctly at the print mark position to minimize the amount of spliced products rejected
- print registration, detection system for manufacturer foil splices, code dating device, tear tape device
- two or three-stage longitudinal sealing device for cold or heat sealing
- segmented cross sealing device for cold and heat sealing with up to four sealing jaws
- cross seam sealing profile in longitudinal or transversal direction
- Discharge conveyor with separate drive
- upper support discharge belt
- ejecting device for faulty packs
- suction device for empty pouches
- Excellent accessibility for operation, maintenance and cleaning purposes
- Easy operation due to the touch screen
- Depending on local conditions, one operator is required
- System of protection: IP 54