

High speed wrapping machine for chocolate bars and similar products in envelope fold

U1-C



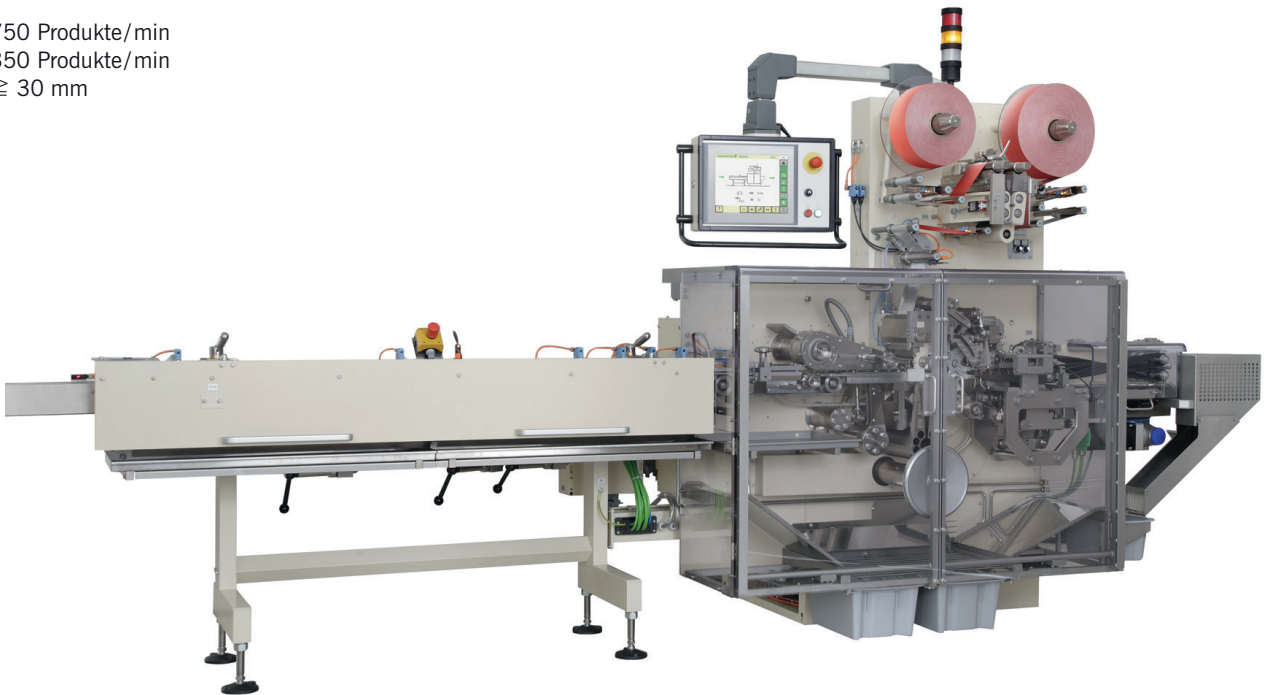
Envelope Fold

Products

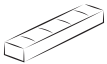
- chocolate bars

Output

- up to 750 Produkte/min
- up to 350 Produkte/min
width \geq 30 mm



Product dimensions



Length: 30–120 mm
Width: 15– 45 mm
Height: 6– 15 mm
Special sizes upon
request

U1-C

Wrapping material

- Aluminium foil
- aluminium/paper – coated
- cellophane
- polypropylene

Material dimensions

- Reel diameter: up to 350 mm
- Core diameter: 70–76,2 mm

Utilities

- Connected load: 12 kVA
- Compressed air consumption: 1,5 m³/h; 600 kPa
- Cooling water consumption: 0,15–0,21m³/h
- Temperature: 10 ... 15°C
- Pressure: min. 200 kPa

Measurements

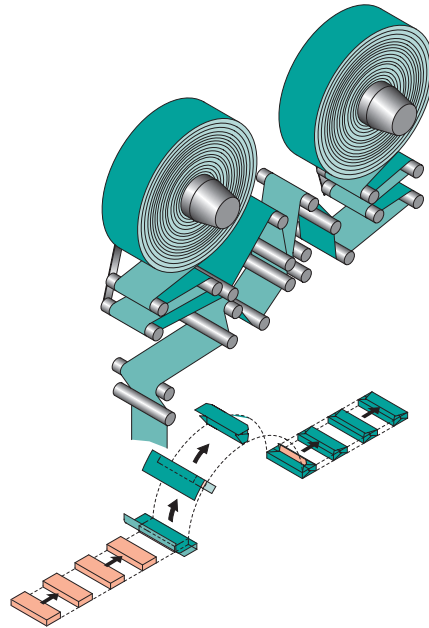
- Machine:
 - Length: 1600 mm
 - Width: 1310 mm
 - Height: 2000 mm
- Feeding Unit:
 - Length: 2100 mm
 - Width: 540 mm
 - Height: 1100 mm
- Switch cabinet:
 - Length: 1200 mm
 - Width: 500 mm
 - Height: 2000 mm

Weight

- Machine: 1820 kg
- Feeding unit: 300 kg
- Switch cabinet: 300 kg

Combination

Instead of a direct synchronization to the production line the machine can also be supplied with separate feeding systems, for instance if the bars are provided on feeding plates. A synchronization with down-stream overwrapping (cartoning or flow-pack machines) machines is also possible.



Special features

- Electronically controlled product feed
- A continuous transport of the bars is achieved by precisely synchronised conveying speeds of the feeding conveyors in order to avoid any accumulation pressure to the delicate products
- Automatic splicer to change wrapping material reels without stopping the machine
- Pneumatic core locking and reel tensioning devices
- Servo-driven wrapping material feed rollers and wrapping material knife
- Servo control with PLC functions
- Central lubrication of all gear parts including oil pressure control/temperature control
- All electrical and electronic components are located in a separate switch cabinet

- Excellent accessibility for operation, maintenance and cleaning purposes
- Easy operation due to the touch screen
- Due to the automatic operation, several machines can be handled by one operator

Optional extras

- Photo-electric print registration
- Special paper feeding device for the application of two separate wrapping materials (i. e. cellophane or PP films and aluminium/paper-coated) glued together on the machine by means of a gluing device
- Ejection of spliced, mal-registered and unwrapped products