

Dual track high speed wrapping machine for chocolate products in envelope fold. Simultaneous feeding and wrapping of products on two tracks enables efficient and reliable high-performance production.

U1-CT



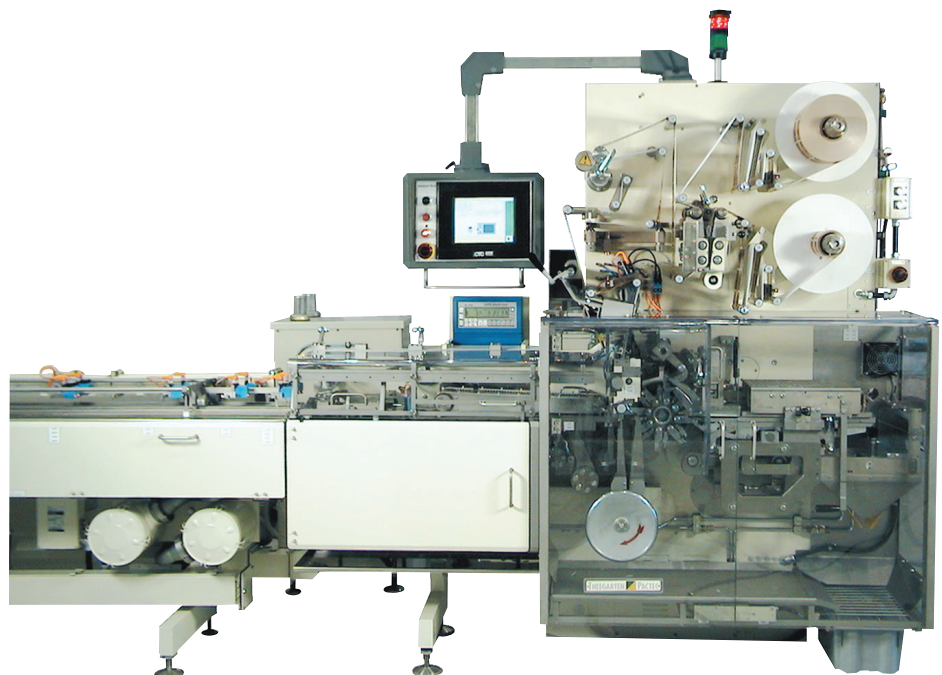
Products
- Napolitains

Output
- up to 1260 products/min

Product dimensions



Length: 30– 50 mm
Width: 15– 26,5 mm
Height: 5– 15 mm
Special sizes upon request



U1-CT

Wrapping material

- Aluminium foil
- Aluminium laminates
- Cellophane
- Polypropylene

Material dimensions

- Reel diameter: up to 350 mm
- Core diameter: 70–76,2 mm

Utilities

- Connected load: 16 kVA
- Compressed air consumption:
1,5 m³/h; 600 kPa
- Cooling water consumption:
0,15 – 0,21m³/h
Temperature: 10 ... 15°C
Pressure: min. 200 kPa

Measurements

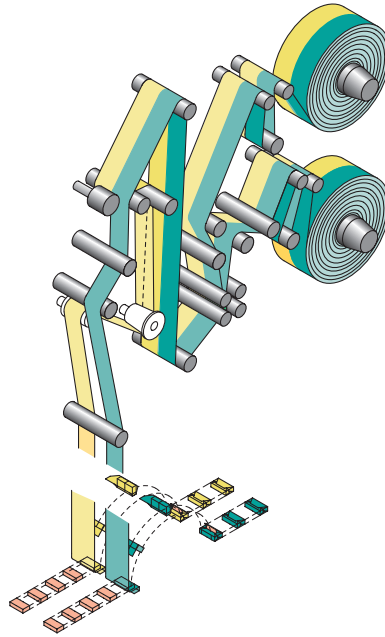
- Machine:
Length: 2245 mm
Width: 1463 mm
Height: 2454 mm
- Feeding unit:
Length: 3514 mm
Width: 830 mm
Height: 1100 mm
- Switch cabinet:
Length: 2000 mm
Width: 500 mm
Height: 2100 mm

Wrapping material speed

- Machine: 2400 kg
- Feeding unit: 600 kg
- Switch cabinet: 550 kg

Combination

By means of a dual track discharge unit a direct synchronization to the feeding unit is possible. A synchronization with down-stream overwrapping (cartoning or flow-pack machines) machines is also possible.



Special features

- Electronically controlled product feed
- A continuous transport of the bars is achieved by precisely synchronised conveying speeds of the feeding conveyors in order to avoid any accumulation pressure to the delicate products
- Automatic splicer to change wrapping material reels without stopping the machine
- Pneumatic core locking and reel tensioning devices
- Servo-driven wrapping material feed rollers and wrapping material knife
- Servo control with PLC functions
- Central lubrication of all gear parts including oil pressure control/temperature control

- All electrical and electronic components are located in a separate switch cabinet
- Excellent accessibility for operation, maintenance and cleaning purposes
- Easy operation due to the touch screen
- Due to the automatic operation, several machines can be handled by one operator

Options

- Photo-electric print registration
- Gluing device for the application of one or two glue dots for product closure